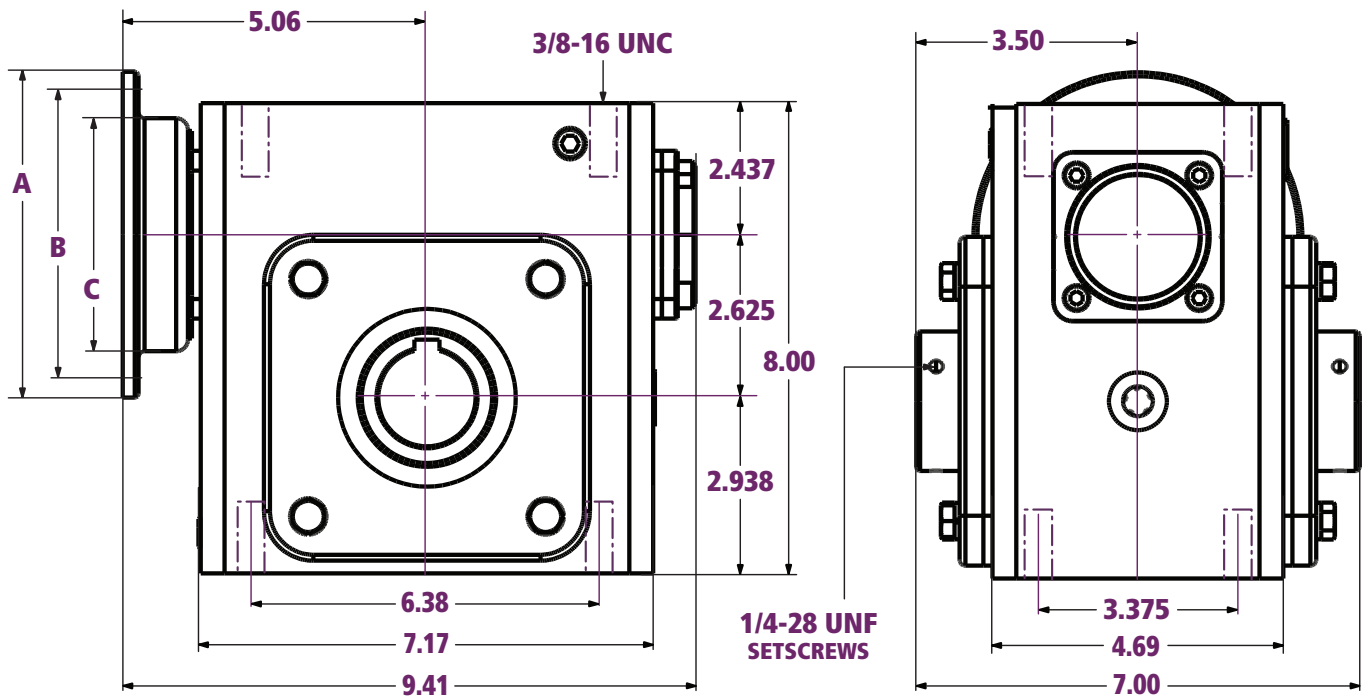




XH262 Dimensions

All dimensions listed in inches



Motor Options & Dimensions (in)

NEMA Frame	Motor Shaft Dia. (in)	A	B	C
		OD Flange	Bolt Circle	Pilot Bore
56C	0.625	6.50	5.88	4.5
140TC	0.875			

Output Bushing Kits

Output Bushing Diameter (in)
5/8
3/4
7/8
1
1-1/8
1-3/16
1-1/4
1-3/8

Output Hollow Bore

Output Keyway (in)	Output Bore (in)
3/8 x 3/16	1.4375

Ratios

Nominal Ratios	Exact Ratios
5:1	5.3:1
10:1	10.7:1
15:1	15.5:1
20:1	19.5:1
30:1	30.0:1
40:1	40.0:1
50:1	50.0:1
60:1	60.0:1

Efficiency

Nominal Ratios	Efficiency (%)
5:1	~ 93
10:1	~ 90
15:1	~ 87
20:1	~ 83
30:1	~ 76
40:1	~ 72
50:1	~ 67
60:1	~ 66

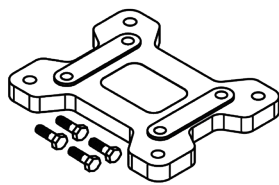
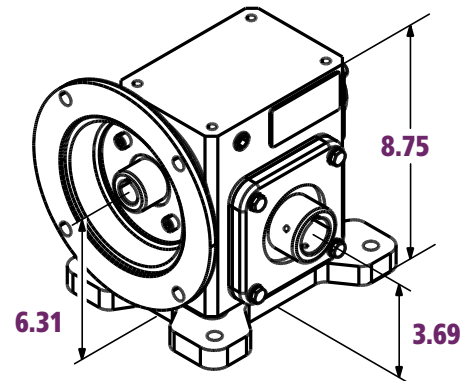
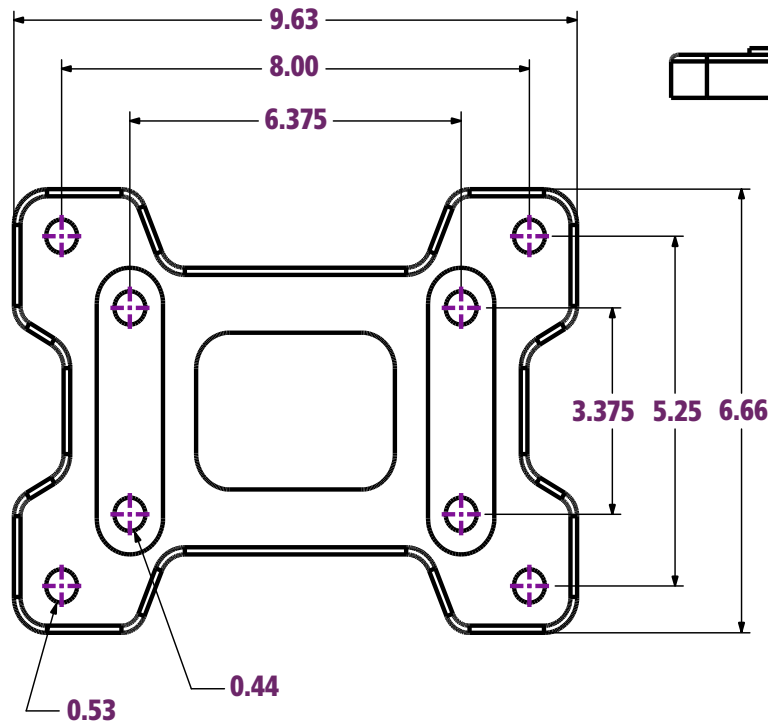
Specifications

Center Distance (in)	Weight (lbs)	Est. Oil Fill Amount* (oz)
2.625	48.4	33.8

*For Position 1.

XH262 Accessories

and X262 Base Kit Dimensions



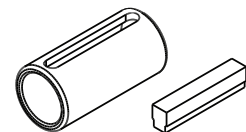
Foot Mounted Base Kit

XBK262



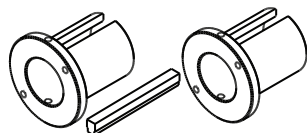
Component Repair Kit

XHRK262



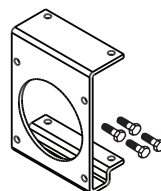
Input Quill Adapter Option

X143-56



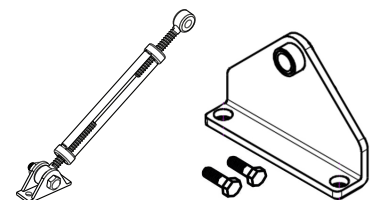
Output Bushing Kits*

VH262
(See other page for bore sizes)



Output Bracket Kit*

XOB262



Torque Arm Kit*

XTA262

*Made to order.